

SecureFit™ Installation Brackets: Splendide Washer-Dryer

Designed to hold the appliance in position once installed

PART#MK01



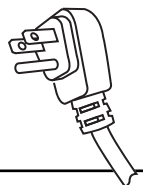
ATTENTION



Refer to the Owners Manual that came with the appliance for complete installation instructions.



WARNING



Before working on any appliance, be sure that the power ON/OFF button is in the OFF position and that the electrical cord is unplugged.

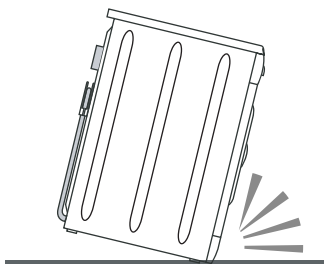


ATTENTION

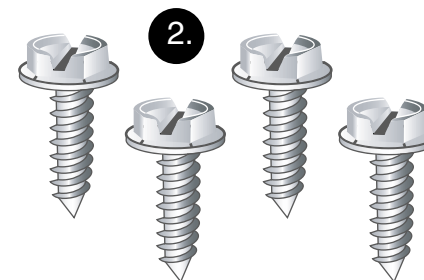
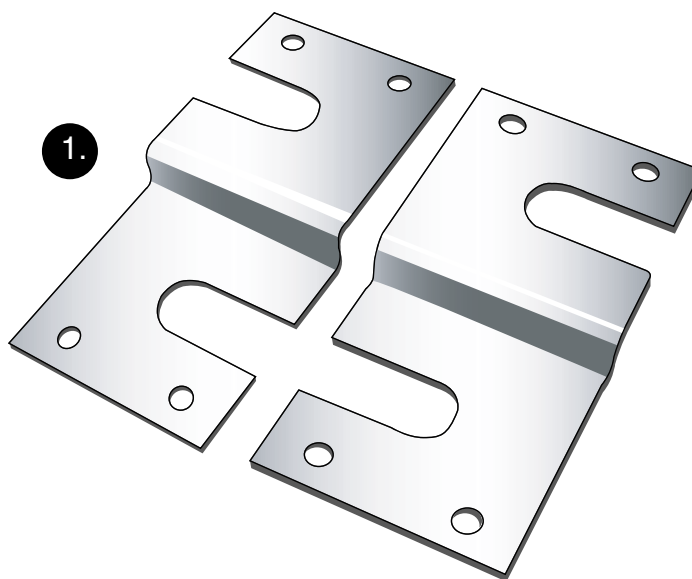


Mobile Installation Notice:

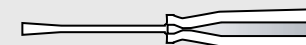
These brackets are NOT designed to protect the appliance from tipping forward.



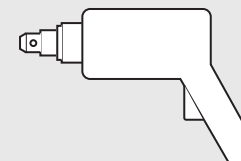
PARTS IDENTIFICATION



YOU'LL NEED:



Flat Blade Screwdriver



Electric Screwdriver/Drill



5/16" Socket

SecureFit™ Installation Brackets
For Splendide Combination Washer-Dryer

1. BRACKETS (2)

2. SCREWS (4)

PART NO.
MK01
INSTALLATION
INSTRUCTIONS

SPLENDIDE LAUNDRY CENTERS DIV, WESTLAND SALES

Clackamas, OR / Elkhart, IN
Service Phone: 503-655-2563 (Ext. 5)
Service Fax: 503-722-9202
www.splendide.com

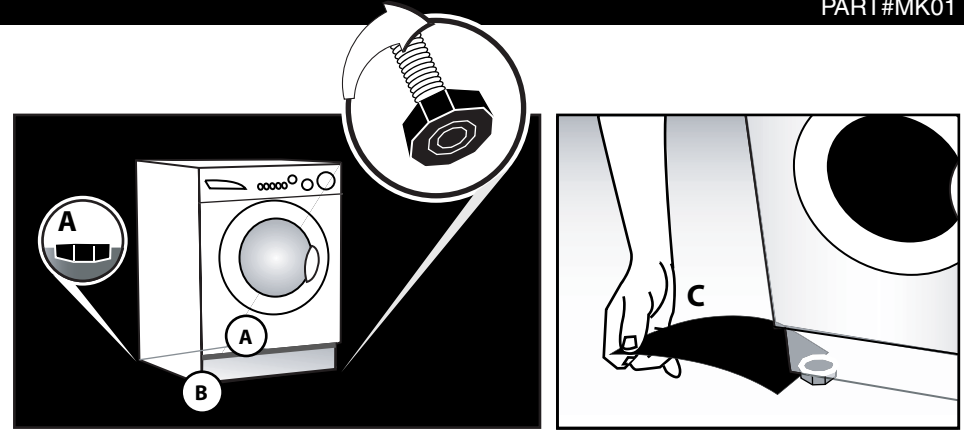
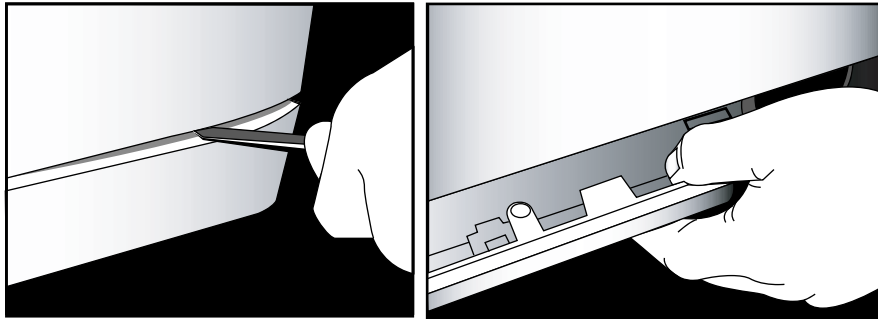
Splendide[®]
Laundry Centers

SecureFit™ Installation Brackets: Splendide Washer-Dryer

Designed to hold the appliance in position once installed

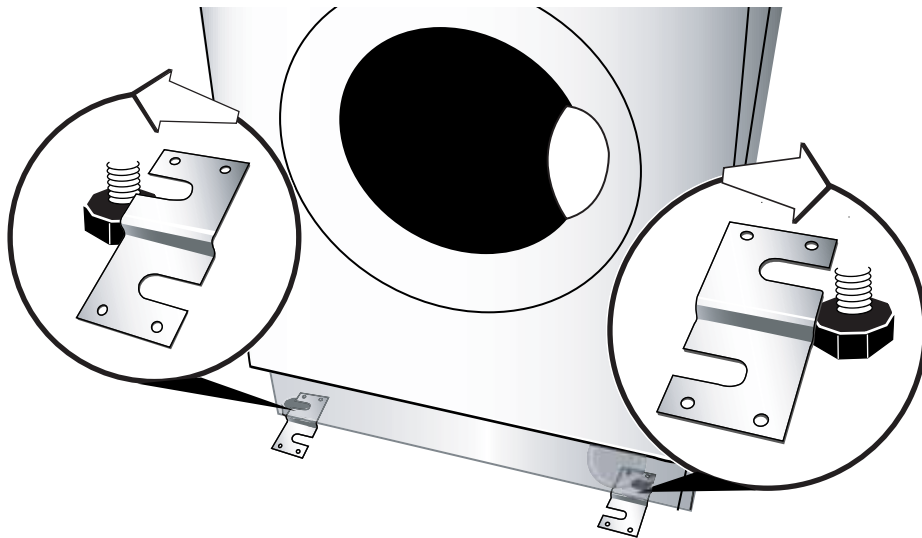
PART#MK01

BRACKET INSTALLATION INSTRUCTIONS

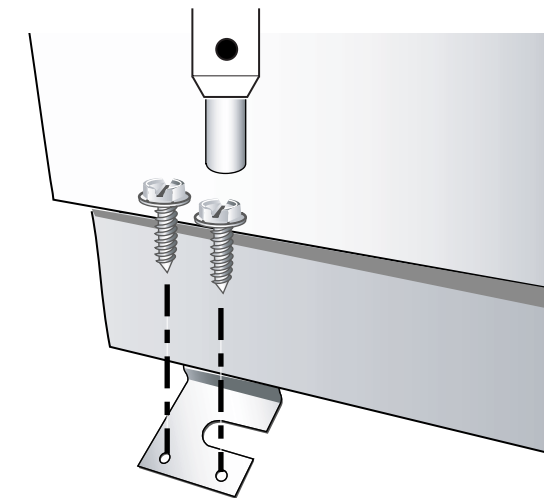


- 1 Step 1: Remove Toekick**
Ease down the top of the toekick panel with a flat blade screwdriver. Remove the panel by lifting slightly and pulling forward.

- 2 Step 2: Level Appliance**
Tighten the two back feet (A) so they are ALL THE WAY IN. Tilt the appliance back. Then, adjust the two front feet (B) up or down so the appliance does not rock side-to-side or front-to back when upright. **TIP: Once upright, if a piece of paper can slide under a foot (C), that foot needs to be adjusted downwards.**



- 3 Step 3: Place Brackets Around Front Feet**
Hook the brackets around the front leveling legs as shown.



- 4 Step 4: Secure Brackets to Floor**
Using a drill and the self-tapping screws provided, secure each bracket to the floor.

Step 5: Finish the Installation

Reattach the toe kick and follow the instructions in the owners manual to complete the installation.

5

If you are unable to successfully complete this installation, please call Splendide Service Headquarters

**1-800-356-0766
Ext. 5**