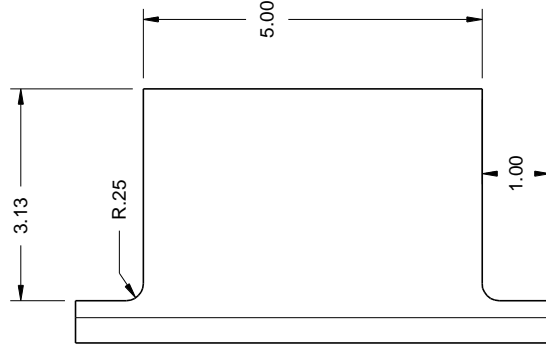
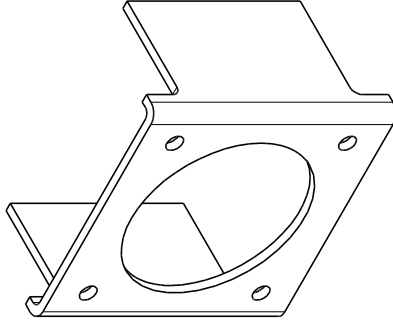
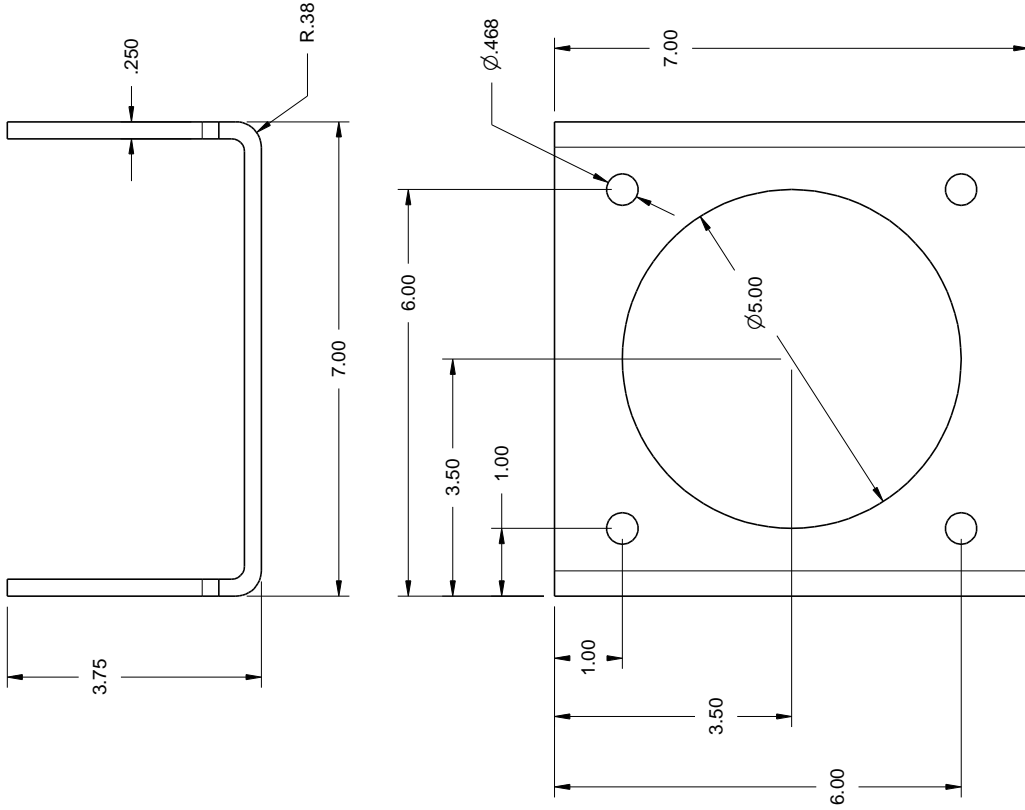


INSIDE MOUNT "CUT-OUT"

THE CUT-OUTS ENABLE THE BRACKET TO BE WELDED VERTICALLY WHILE CLEARING THE INSIDE CONTOUR OF THE "CHANNEL" SHAPE OF THE INNER RAIL. MOUNTING THE BRACKET SO THE WELD IS VERTICAL INCREASES STRENGTH DRAMATICALLY VERSUS LAYING THE BRACKET HORIZONTALLY AND WELDED TO TOP & BOTTOM OF THE UNIT'S FRAME.



**REVISED 6/20/12:
CHANGED 3.00" CUT DEPTH TO 3.125"
FOR CLEARANCE ISSUES
(PREVIOUS VERSION WORKED BUT WAS VERY CLOSE)**

QUALTRA
MANUFACTURING

305 US 131 SOUTH (269) 483-9634
WHITE PIGEON, MI 49099 483-9636 (FAX)

PART: INSIDE MOUNT
ASSEMBLY: CLASS - C
DRWG BY: B. SLACK > DATE: 12/7/11
TOLERANCES: X±.02 .XX±.010 .XXX±.005
MAT'L: 1/4" STEEL (FORMED)