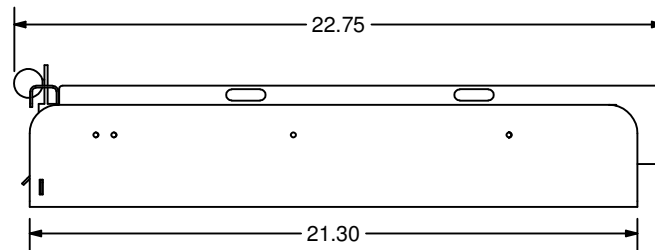
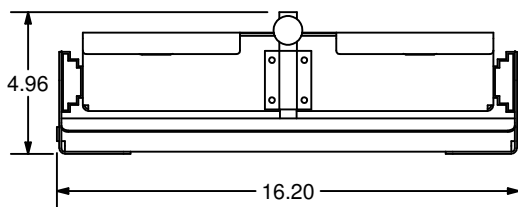
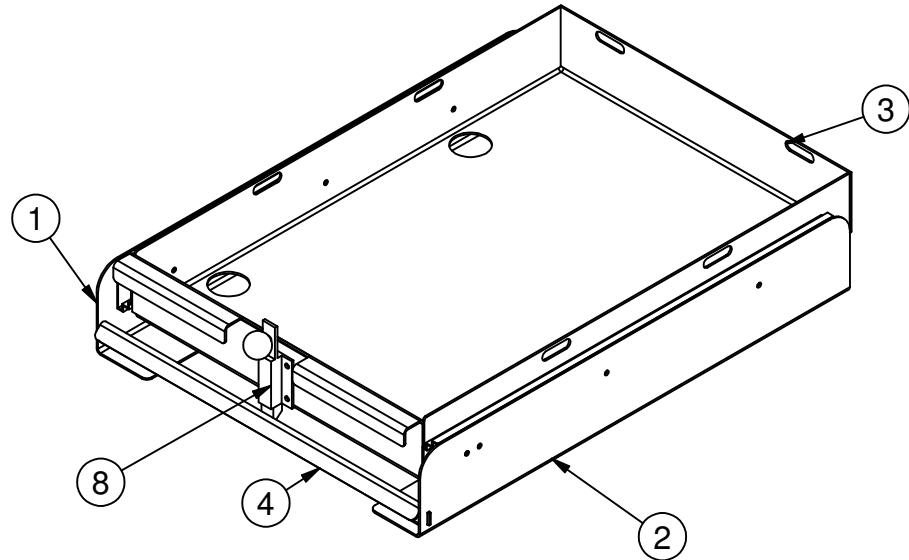


- SHIP STRAPS LOOSE (2 PCS OF UO136-445)



PART QUALITY: A

Parts List		
ITEM	QTY	PART NUMBER
1	1	SP209-417L
2	1	SP209-417R
3	1	SP209-418
4	1	SP209-419
5	24	UO136-137
6	1	UO136-150
7	2	UO136-445
8	1	UO136-604

DRAWN: jbaranski	CHECKED: BL	DATE: 7/10/2008
MATERIAL: 14 GA HR STEEL (14HR02A05)		
FINISH: P-BLK1		
ALL DIMENSIONS ARE O.D. UNLESS OTHERWISE NOTED		
TOLERANCE OF DIMENSIONS (INCHES): UNLESS OTHERWISE SPECIFIED:		
LASER:	2 PLACES ` 0.020	3 PLACES ` 0.010
BRAKE:	2 PLACES ` 0.063	3 PLACES ` 0.031
WELDING:	2 PLACES ` 0.063	3 PLACES ` 0.031
SHOP ENG:	2 PLACES ` 0.030	3 PLACES ` 0.010
CUTOFF:	0.031	
ANGULAR:	` 1-	
FLATNESS:	` .06/10.00	

SP60-042

14" x 21" BATTERY TRAY

Elkhart, Indiana

THIS DRAWING & THE INFORMATION CONTAINED THEREON ARE THE EXCLUSIVE PROPERTY OF MOR/RYDE. THEY SHALL NOT BE COPIED OR DUPLICATED WITHOUT CONSENT.

SHEET 1 OF 2

DATE	REV	ECN #	INIT.	DESCRIPTION
3/2/09	2	---	JONDK	MOVED HOLES TO MATCH SLIDE

REVISION HISTORY