



# Installation Instructions

## Part #SS308 - Rear Trac Bar

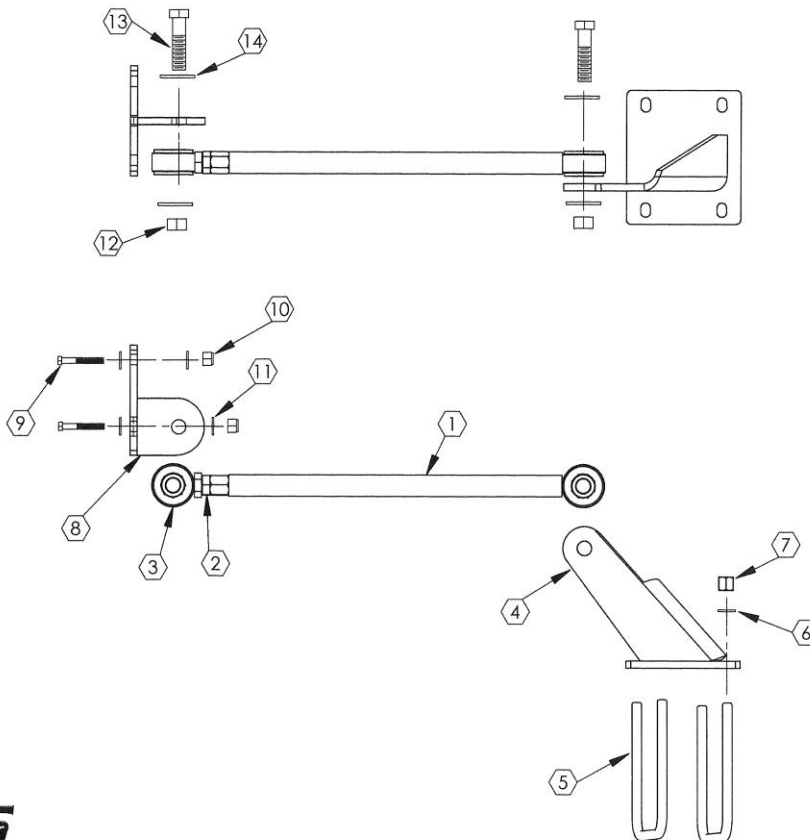
The design of this product is to eliminate the side shift of the rear axle of the Fred Freightliner Chassis

Estimated Installation time is 1.5 hours.

\*A qualified mechanic using normal automotive tools and following all safety measures known should perform installation of this product.

- Please familiarize yourself with all the components depicted below.

SS308 TRAC BAR PARTS LAYOUT



ITEM #	Description	QTY
1	SS308 Rod Assy	1
2	Jam Nut - 3/4 16UNF	1
3	Rod End Assy	1
4	Axle Bracket Assy	1
5	U-Bolt 1/2 - 5 1/2x 7 1/2 Sq. Top	2
6	Flat Washer - 1/2	4
7	High Nut - 1/2 20UNF	4
8	Frame Bracket	1
9	Bolt - 1/2x2 1/2 13UNC	3
10	Nylock Nut - 1/2 13UNC	3
11	Flat Washer - 1/2	6
12	Top Lock Nut - 3/4 16UNF	2
13	Bolt - 3/4x3 16UNF	2
14	Flat Washer - 3/4	4

Item #	Torque Spec. (ft. lbs.)
2	100-150
7	140-150
9	100
13	150-180

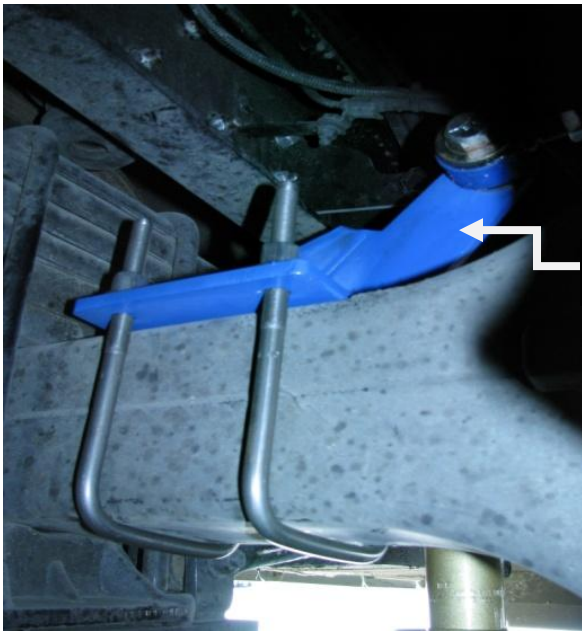


## **A. Preparation**

Move the coach to a level, flat surface. If necessary, drive the rear wheels of the coach onto 4" high blocks and set the brakes or you may drive the coach over a work pit and chock the front wheels. Block off adequate space at the rear of the coach to work.

## **B. Installation of the Axle Bracket**

The **axle bracket** fits on the **passenger's side**, on top of the axle and is held on with the supplied U-bolts. Set the **axle bracket** on top of the axle tube and clamp with U-bolts. Torque nuts to 140-150 ft. lbs.



### **Note:**

The **axle bracket** should be parallel with the ground with the **"ear"** facing towards the opposite frame rail.

"ear"

## **C. Installation of the Frame Bracket**



Begin by removing three nuts and bolts from the joust bumper (on the driver side of the frame) as needed to bolt on **frame bracket**. Install the **frame bracket** on the inside of the frame by using the supplied bolts, nuts and washers. Torque to 100 ft. lbs.

### ***D. Installation of Rod Assembly***

With the coach at normal ride height, install the adjustable end of the **rod assembly** to the frame bracket. Use one of the supplied 3/4" x 3" bolts, two washers, and nut and assemble loosely. Adjust the length of the rod to reach the **axle bracket** and bolt on with the supplied 3/4" x 3" bolt, two washers, and nut.

**Note:** 3/4" Flat washers should be on both sides of the poly bushings.



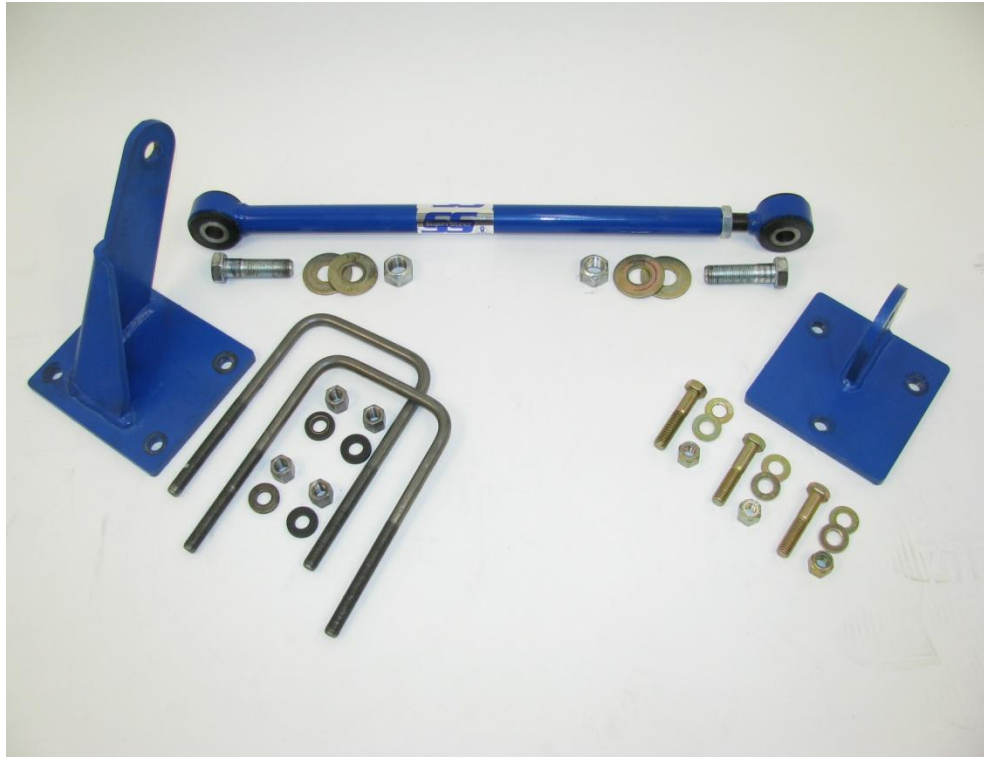
### ***E. Torque Specifications & Follow-Up***

Tighten the 3/4" bolt and nut on the axle bracket to 150-180 ft. lbs. Tighten 3/4" bolt and nut on the frame bracket to 150-180 ft. lbs. Lastly, tighten the jam nut on the rod assembly to 100-150 ft. lbs.

Double-check the fasteners to make sure all are properly torque.

Test drive. Complete and mail the warranty card.

Re-check torque in 6 months.



**Your comments are greatly appreciated. Please contact SuperSteer® at 888-898-3281 or e-mail at [sales@supersteersuperstop.com](mailto:sales@supersteersuperstop.com)**

***Thank you for your purchase of the SuperSteer® Rear Trac Bar.***