



Installation Instructions

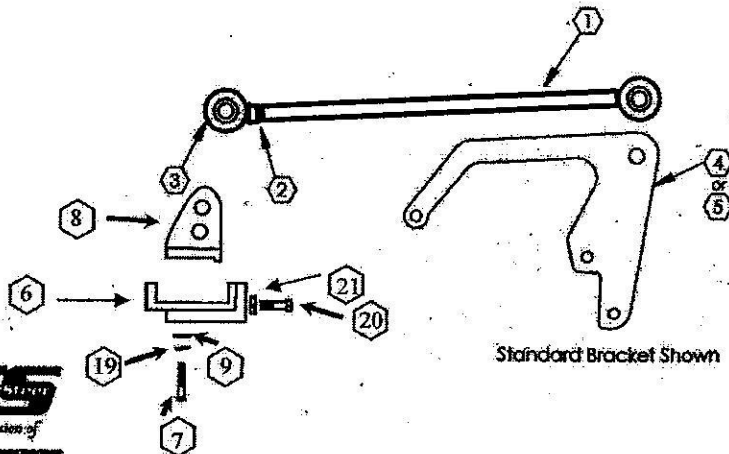
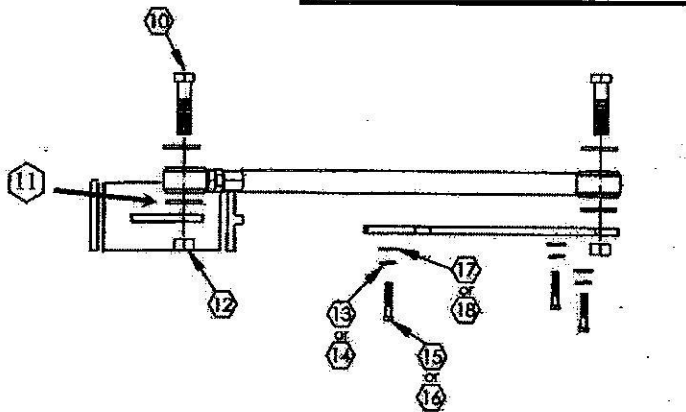
Rear Trac Bar - Part # SS401

This product is designed to eliminate side shift of the rear axle on F53 with 20,000-22,000 GVW (Dana 135-150 differential).

Installation time is 1 to 1.5 hours.

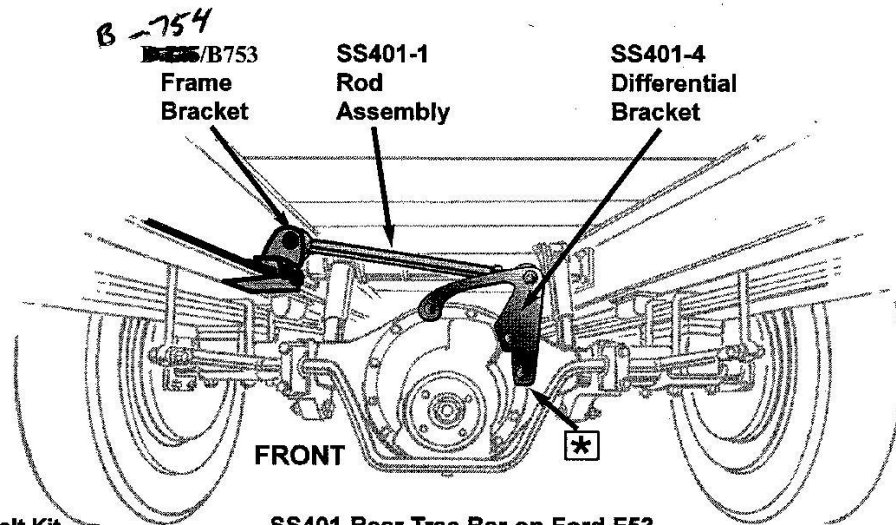
*A qualified mechanic using normal automotive tools and following all safety measures known should perform installation of this product.

SS401 Trac Bar Parts Layout



ITEM #	Description	QTY
1	SS401-1 Rod Assembly	1
2	Jam Nut - 3/4 16UNF	1
3	Rod End Assy	1
4	Standard Differential Bracket	1
5	Metric Differential Bracket	1
6	Frame Bracket	1
7	5/8 x 1 3/4" NF Bolts	2
8	Pinch Plate	1
9	5/8" Flat Washers	2
10	Bolt - 3/4x3 16UNF	2
11	Flat Washer - 3/4	4
12	Top Lock Nut - 3/4 16UNF	2
13	Lock Washer - 1/2	3
14	Lock Washer - 14mm	3
15	Bolt - 1/2x2 13UNC	3
16	Bolt - 14mm x 50mm	3
17	Flat Washer - 1/2	3
18	Flat Washer - 14mm	3
19	5/8" Lock Washers	2
20	1/2" x 1 3/4" NF Bolts	2
21	1/2" NF Jam-nut	2

Item #	Torque Spec. (ft. lbs.)
2	100-150
7	100
10	150-180
15 or 16	120 (metric 142-158)



Note: Use Bolt Kit
SS401-5

SS401 Rear Trac Bar on Ford F53
(20,000- 22,000 GVW) Chassis

IMPORTANT: Two different differential brackets are provided in this kit. One bracket has **STANDARD** holes, while the other has **METRIC** holes. The **METRIC** differential bracket is identified by larger holes and is imprinted with an "M." You must determine your differential type to properly select the correct bracket for installation.

Note: Some OEM bolts will be metric. Be sure to check the size closely before installation. Metric bolts are larger and are also provided in the kit to be used with the metric bracket. This kit also includes zip ties and flexible plastic conduit should coach wiring needs to be moved or shielded.

1. Move the coach to a level, flat surface. If necessary, drive the rear wheels of the coach onto 4" high blocks and set the brakes or drive the coach over a work pit and chock the front wheels. Block off adequate space at the rear of the coach to work.

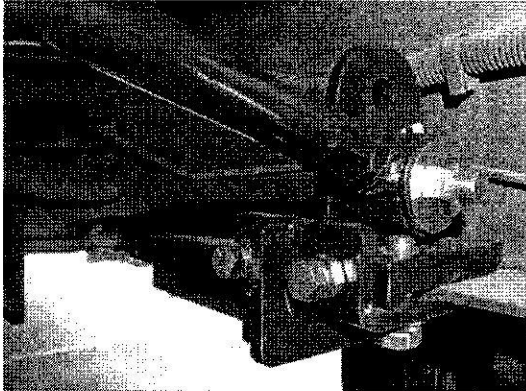
2. *Installation of the Differential Bracket (SS401-4)*

Installation Instructions - #SS401 Rear Trac Bar

Note: Before installing the differential bracket, make sure the surface is flat and clean. If letters or numbers are stamped or raised on the differential, grind away to create a smooth surface.

3. Hold the differential bracket up to the differential to locate the 3 OEM bolts. Remove the bolts and discard. Swab the holes clean and dry before the installation of bolts. Loosely install the differential bracket to the differential with the supplied bolts: **Standard** (3) 1/2" x 2"; OR **Metric** (3) 14 mmx2". Be sure to use lock washers and flat washers, and apply Locktite to the bolts before installing.

Installation of the Frame Bracket B-754 and Pinch Plate B-753



Passenger's side frame rail
looking toward front of coach
from coach rear (above rear axle).

Install the frame bracket B-754 and pinch plate B-753 on the frame rail. The frame must be between the pinch plate and the frame bracket. The frame bracket is designed to mount to the bottom and sides of the frame rail. Position the frame bracket below the frame rail on the passenger side in line with the axle bracket.

Align slotted holes in frame bracket with threaded holes in pinch plate. (Place the nut plate with lip facing down and towards center of vehicle). Install (2) 5/8"x2" fine threaded bolts, (2) 5/8" lock washers & (2) 5/8" flat washers. (Use blue Loctite and tighten "just snug" for now)

Note: Make sure not to contact any wires, brake lines, etc.

Use the Trac Bar to check alignment from axle plate to frame bracket. Adjust forward or back. Then install the jam nuts onto the 1/2" fine threaded bolts and install in the frame bracket. Tighten to push the nut plate against the inside of the frame, then tighten the bottom bolts securely. Now tighten the jam nuts against the bracket to lock the 1/2" fine threaded bolts into place and keep it from backing out.

5. Installation of Rod Assembly (SS401-1)

Note: The rod assembly may be installed on the front or back of the brackets to achieve best clearance.

Install the rod assembly with the 3/4" x 3" bolts, flat washers and lock-nuts. Be sure that there is a flat washer on both sides of the urethane bushings of the rod end. When adjusting the length of the rod, it is necessary that the coach's full weight be on the suspension.

6. Torque all the standard 1/2" bolts on the Differential Bracket to 120 ft. lbs. If a Dana 110, 130, or 150 model with metric bolts, torque to 142 - 158 ft. lbs. Be sure to check all fasteners for tightness, including the jam nut on the rod assembly. Torque the 3/4" rod end bolt to 150 - 180 ft. lbs. Torque the jam nut to 100 - 150 ft. lbs. This completes the installation.
7. Test drive. Complete and mail the warranty card.
8. Re-check torque in 6 months.

Your comments are greatly appreciated. Please feel free to contact SuperSteer® at 888-898-3281 or e-mail at john@supersteerparts.com

Thank you for your purchase of the SuperSteer® Rear Trac Bar.