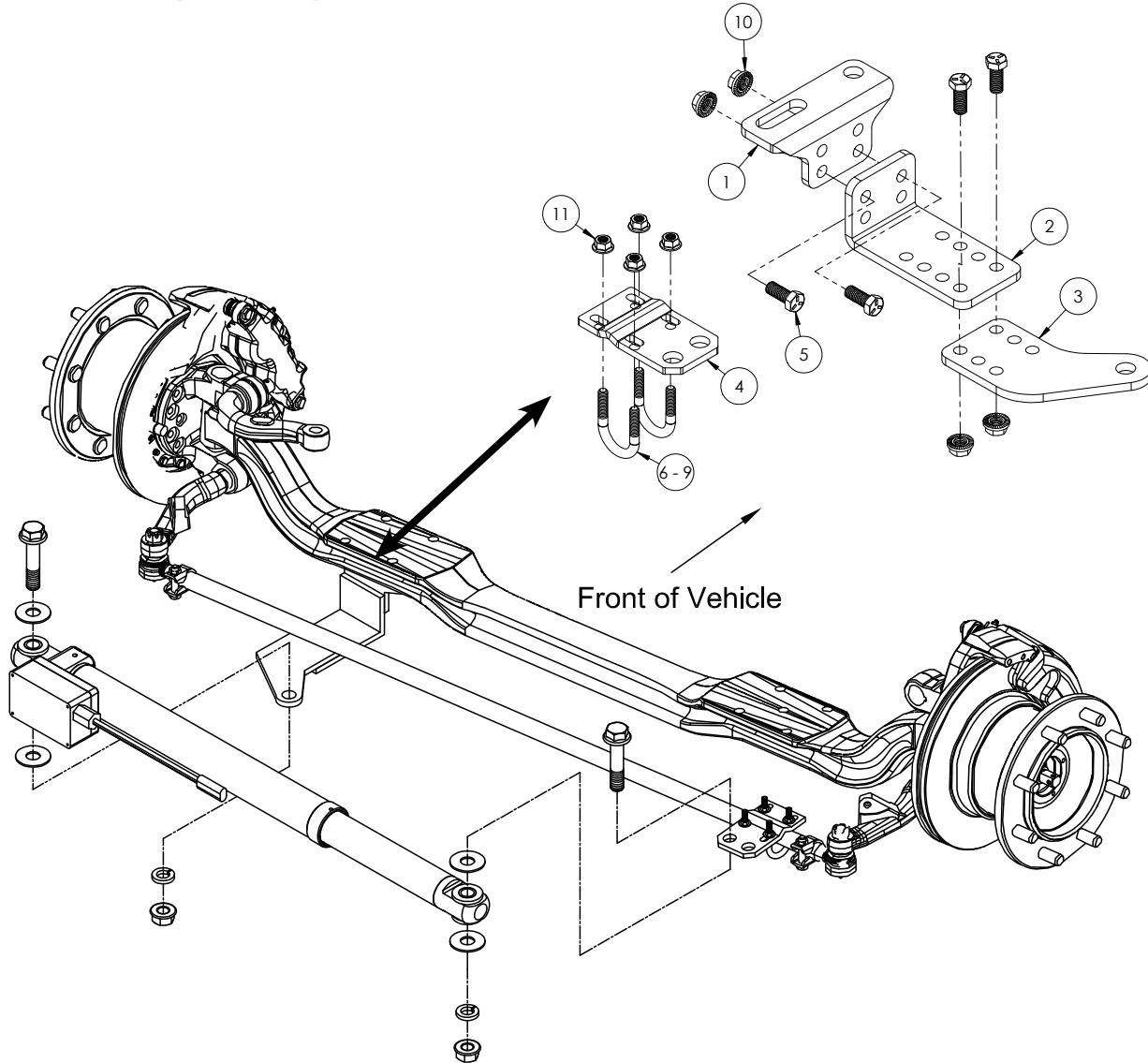




TC5000/TC5001 Adjustable TruCenter Bracket Kit Installation Instructions

Serial Number

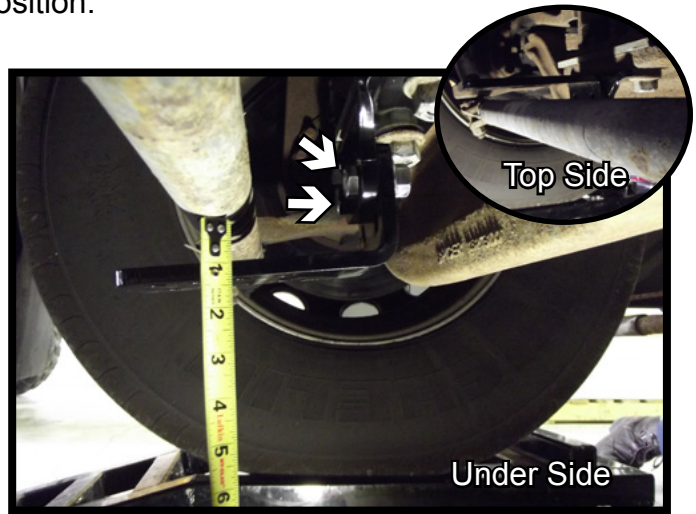


Item No.	Part No.	Description	Qty.
1.....	101-8509.....	TC5000 Base Bracket (3/4").....	1
	101-8625.....	TC5001 Base Bracket (5/8").....	1
2.....	101-8510.....	Center Bracket.....	1
3.....	101-8511.....	End Bracket.....	1
4.....	102-6343.....	Tie Rod Bracket.....	1
5.....	201-0011.....	1/2"-13 x 1-1/4" Hex Head Bolt, Grade 5, ZP.....	4
6.....	201-0715.....	3/8"-16 x 1-3/8" U-Bolt, Grade 5, ZP.....	2
7.....	201-0716.....	3/8"-16 x 1-1/2" U-Bolt, Grade 5, ZP.....	2
8.....	201-0717.....	3/8"-16 x 1-5/8" U-Bolt, Grade 5, ZP.....	2
9.....	201-0718.....	3/8"-16 x 1-3/4" U-Bolt, Grade 5, ZP.....	2
10.....	202-0072.....	1/2"-13 Hex Flange Whiz Lock Nut, ZP.....	4
11.....	202-0174.....	3/8"-16 Center Dimple Lock Nut, ZP.....	4

IMPORTANT: Use only genuine factory replacement parts on your bracket kit. Do not substitute homemade or nontypical parts. If a bolt is lost or in need of replacement, for your safety and the preservation of your bracket kit, be sure to use a replacement bolt of the same grade. Repair parts may be ordered through your nearest **Blue Ox** dealer or distributor.

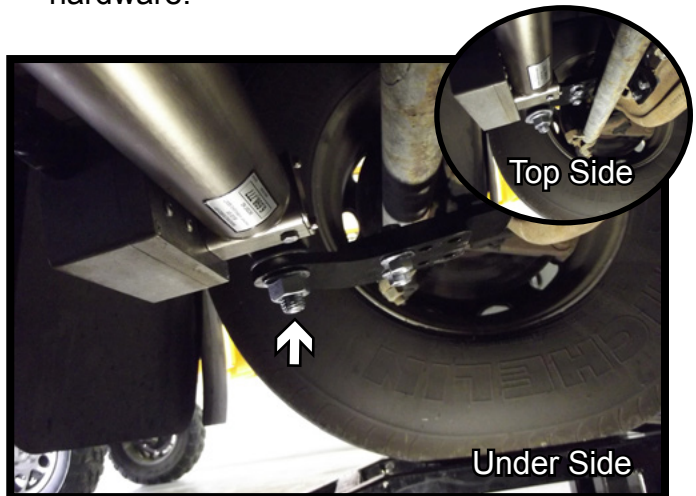
TC5000/TC5001
Adjustable TruCenter Bracket Kit
Installation Instructions

1. Set the front wheels of the vehicle in a straight position.



2. Remove the two (2) existing nuts from the axle. Install the base bracket onto the axle and reinstall the existing nuts. Tighten to manufacturer's specifications.

3. Install the center bracket to the base bracket with the 1/2" hardware onto the top side or under side of the tie rod depending which gives the TruCenter better clearances on your particular motorhome model. Insure there is a minimum 1" gap between the center bracket and tie rod. Fully tighten the hardware.



4. Attach the tie rod bracket to the tie rod with the u-bolts and nuts from the appropriate u-bolt kit. DO NOT tighten. Measure the distance from the tie rod to the installation hole. (not shown)
Install the end bracket onto the center bracket keeping the distance from the tie rod to the installation hole as close as possible to the tie rod bracket measurement. Once the measurements are close install the 1/2" hardware into the center/end brackets and fully tighten.

5. Install the solenoid end of the TruCenter to the end bracket with a 3/4"-10 x 3-1/2" bolt, 3/4" washers and 3/4" lock nut provided with the TruCenter. Install the other end of the TruCenter onto the tie rod bracket with a 3/4"-10 x 3-1/2" bolt, 3/4" washers and 3/4"-10 lock nut provided with the TruCenter.

TC5000/TC5001
Adjustable TruCenter Bracket Kit
Installation Instructions

6. Insure the TruCenter is parallel with the ground, then tighten down the u-bolts to 30-35 ft/lbs, while maintaining an even amount of threads extending past the nuts. Tighten down the TruCenter bolts on both ends to 180-200 ft/lbs.

Note: Be sure the installed unit clears all other parts of vehicle by turning steering wheel to both extreme right and left positions. If unit scrapes or binds at any point, make necessary corrections by rotating unit on tie rod to obtain necessary clearance. It may also be necessary to dump the air from the air suspension to insure that the RV's trac bar and fuel tank do not come in contact with the TruCenter.

7. Install TruCenter Steering Control wiring according to instructions included in its package.
8. Dealer or installer be certain the user receives these instructions.

Insure that you use the proper TruCenter steering control unit for your application. Using too strong or too weak of a steering control may result in improper or undesirable handling.

Product Safety Policy Statement

It is, and shall continue to be, a primary objective of Blue Ox Towing Products to provide customers with safe and reliable products. Blue Ox will, and has, established safety procedures in product design, manufacture, promotion and sales; and will coordinate efforts to promote customer safety to the greatest extent possible. Each department has primary responsibility for the promotion of safety under the guidelines of the Product Safety Committee.

If the TruCenter is in an accident, it must be replaced. DO NOT use it again! An accident can cause unseen damage and using it again could result in more damage or serious injury. DO NOT use the TruCenter if it is damaged or missing parts.

CUSTOMER SERVICE COMMITMENT

Blue Ox® is committed to providing you with exceptional customer care throughout your lifetime with our products. Our team is here to assist you with any questions you may have regarding the performance of your product. Simply call (402) 385-3051 and you can speak with our customer care team.

Additionally, please visit our website to see which rallies our Destination America team will be attending. For a nominal fee, our service technician will service your towing system to ensure it's in proper working condition. Also, as a commitment to our customers, should you visit our factory, you can stay at our full service Blue Ox® campground at no charge along with enjoying a factory tour.

Again, thank you for being our customer and for the confidence you have shown in the performance of our products. It is because of customers like you we enjoy the success we have today.

© 2015 Blue Ox
One Mill Road, Industrial Park
Pender, Nebraska 68047
Phone: (402) 385-3051
Fax: (402) 385-3360
www.blueox.com