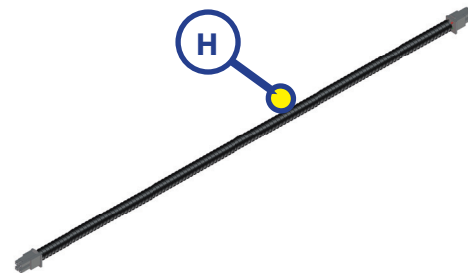
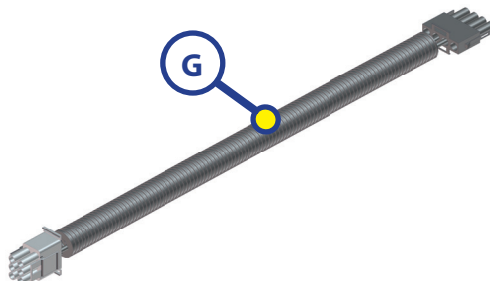
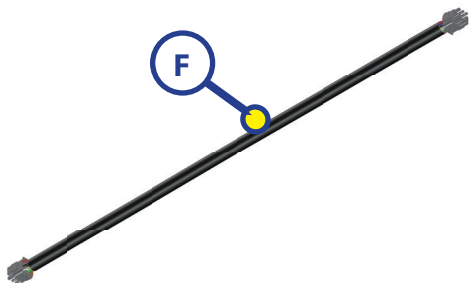
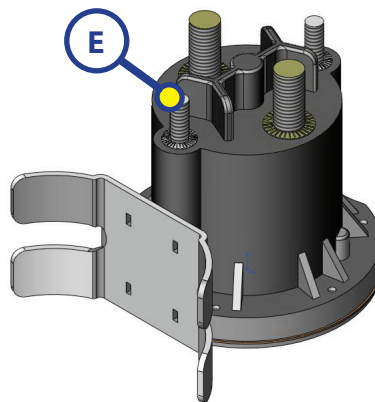
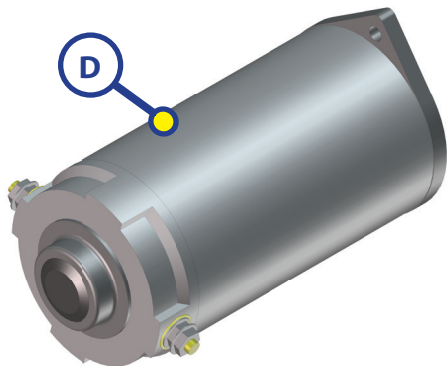
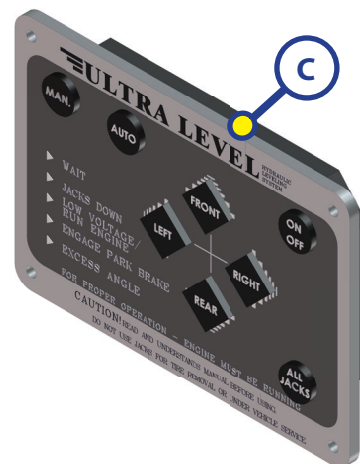
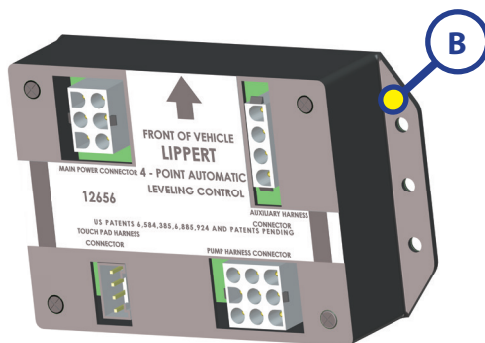




LIPPERT  
COMPONENTS

# MOTORIZED LEVELING ELECTRICAL COMPONENTS - UNIDIRECTIONAL

## LEVELING & STABILIZATION

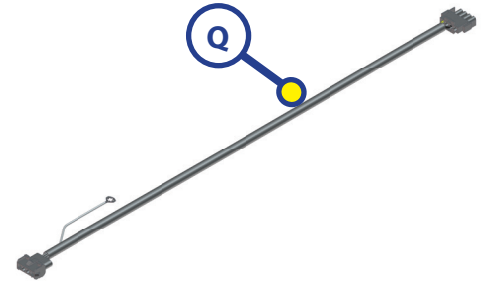
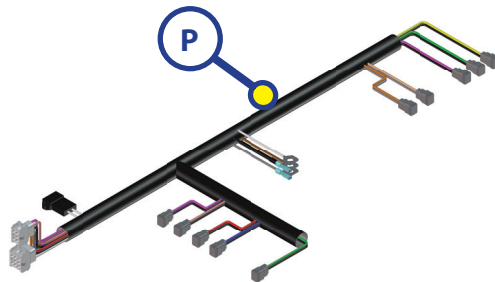
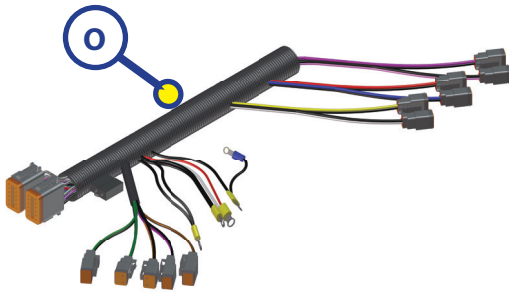
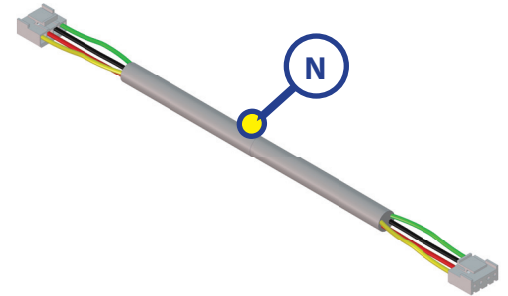
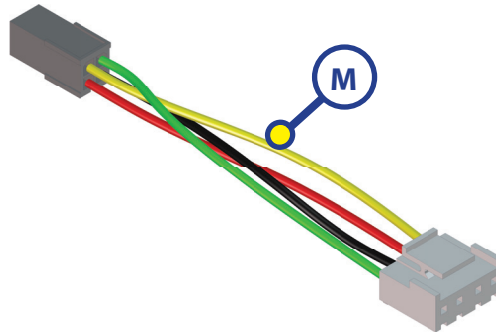
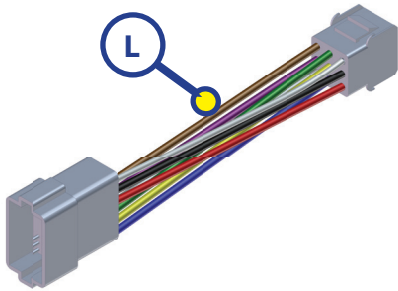
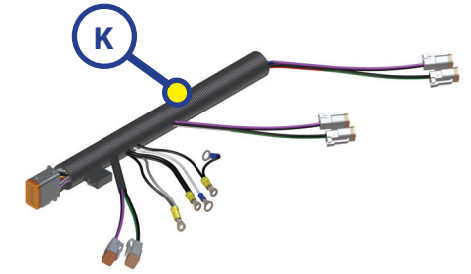
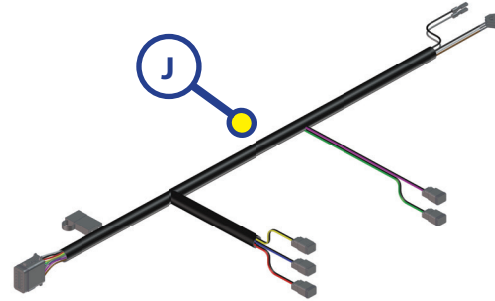
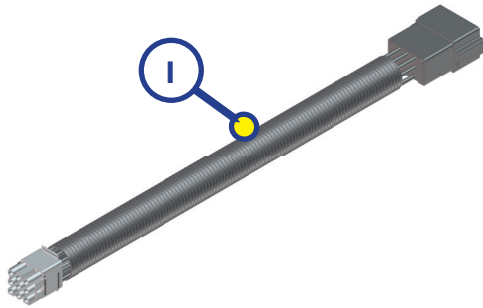


Letter	Part#	Description
A	175225	Touchpad
B	175226	Controller
C	182278	Touchpad
D	179327	Pump Motor Only
E	161394	Solenoid
F	140522	9-Pin Molex
G	140524	Ignition Harness
H	140574	Ignition Harness



# MOTORIZED LEVELING ELECTRICAL COMPONENTS - UNIDIRECTIONAL

## LEVELING & STABILIZATION



Letter	Part#	Description
I	143322	9-Pin Molex to Deutsch
J	143324	Pump Harness
K	161400	Pump Harness
L	167158	12-Pin Deutsch
M	178278	Pigtail
N	178279	4-Pin Brain to Touchpad Harness
O	162987	Pump Harness
P	140593	Pump Harness
Q	140636	6' Air Dump Harness