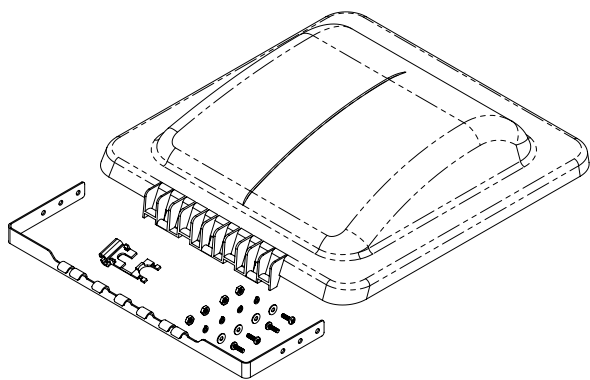




INSTALLATION INSTRUCTIONS FOR MAXXAIR'S UNIMAXX UNIVERSAL VENT LID REPLACEMENT KIT

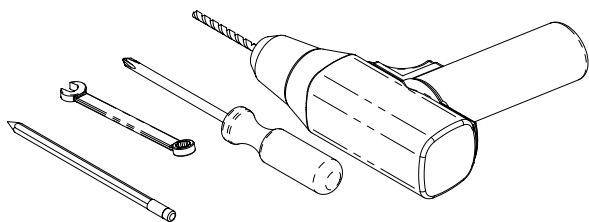
Replaces damaged vent lids on ELIXIR, HENGES,
JENSEN, VENTLINE and other roof vent assemblies.



PACKAGE CONTENTS

| Description | QTY |
|---------------------|-----|
| Universal Lid | 1 |
| Universal Hinge | 1 |
| Slide / Clip | 1 |
| Hardware Kit | |
| Screws | 4 |
| Washers | 4 |
| Lock Washers | 4 |
| Nuts | 4 |

TOOLS REQUIRED



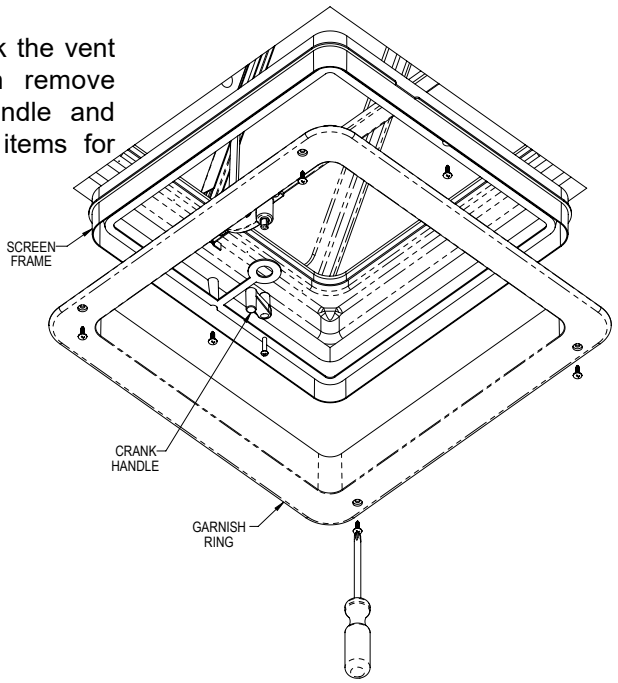
| Description |
|--|
| Power Drill |
| 3 / 16" Drill Bit |
| Phillips Screwdriver |
| 11/32" wrench or socket |
| Pencil or Marker |
| <i>For Ventline "Ventadome" lid replacement, only a screwdriver is required.</i> |

READ AND SAVE THESE INSTRUCTIONS

WARNING! To reduce risk of fire, injury to persons or damage to property, use only in the manner intended by AIRXCEL, INC. Should you have questions, please contact AIRXCEL/MAXXAIR VENTILATION SOLUTIONS Customer Service at 316.832.3400.

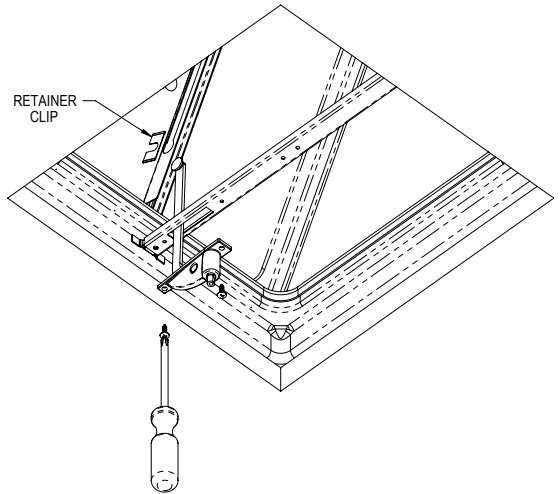
STEP 1

From inside the coach, crank the vent to the open position then remove the garnish ring, crank handle and the screen frame. Retain items for re-installation.



STEP 2

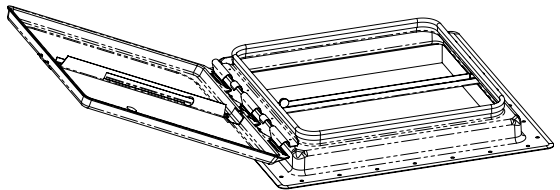
Remove the screws securing the lift operator and disengage the lift arm from the lid track. Some vent lids will employ a retainer clip over the lift arm rivet, remove and discard if present. Retain screws for re-installation.



STEP 3

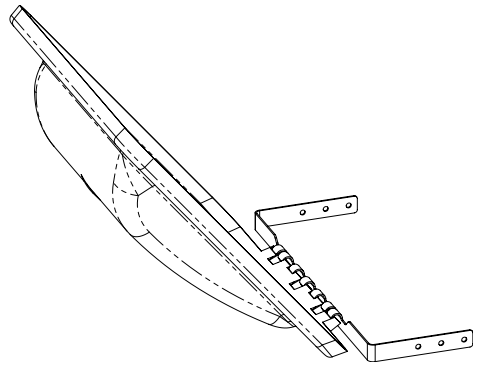
Remove and discard old, broken lid. Each manufacturer has different hinge designs that differ in method of engagement.

Note: If replacing a Ventline "Ventadome" lid, the new universal replacement lid will install directly on the Ventline hinge and steps 4 through 7 can be skipped.



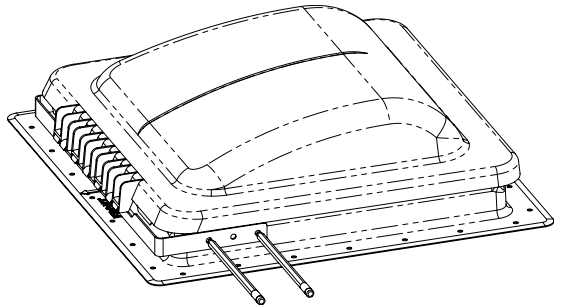
STEP 4

Engage universal lid with universal hinge by orienting parts as shown and pivoting.



STEP 5

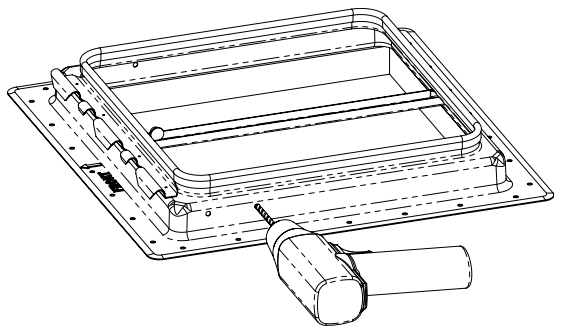
Place lid and hinge over vent and position so that inside of lid or hinge is up against the old roof vent hinge. With lid pressed against roof vent gasket and universal hinge parallel to roof, mark the 2 outer holes on each side of the roof vent. If outer hole closest to hinge will not engage the roof vent flange, the middle hole may be used.



STEP 6

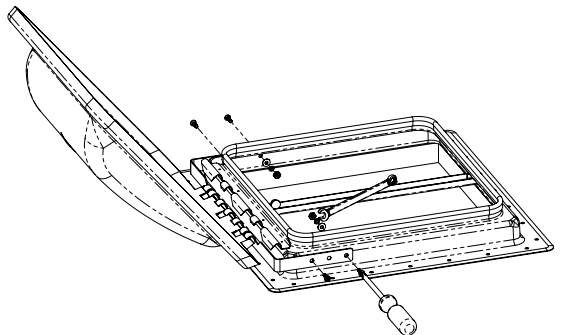
Drill mounting holes with 3/16" drill bit. Note: It may be easier to mark and drill one side and loosely install screws before marking and drilling opposite side.

Note: If a vent cover has been installed over the roof vent, it may be necessary to attach the cover's mount brackets over the Universal Hinge flanges. Installer must ensure brackets are positioned correctly for vent cover. Any unused holes previously drilled should be sealed.



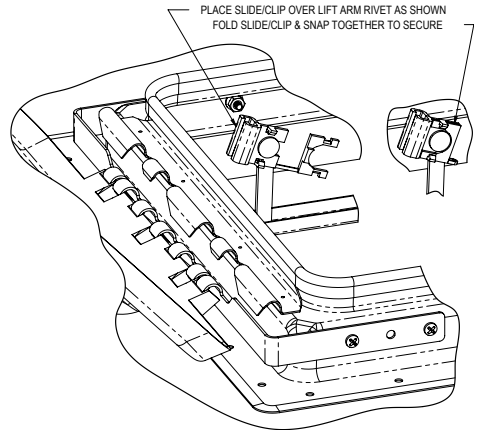
STEP 7

Install screws through outside of universal hinge with flat washers, lock washers and nuts on inside of roof vent flange. Tighten screws & nuts.



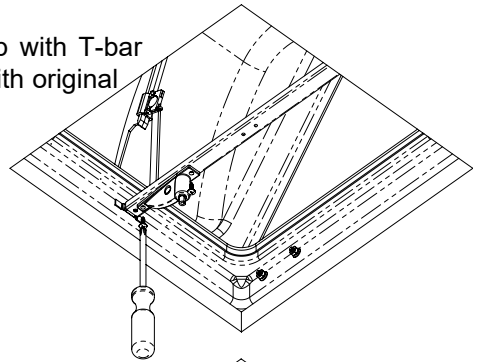
STEP 8

Position the lift arm through the opening in the crank handle mounting bracket and then install slide/clip to lift arm. If replacing a Ventline "Ventadome" lid, the existing slide may be used. If damaged, it may be cut off and replaced with the universal slide/clip.



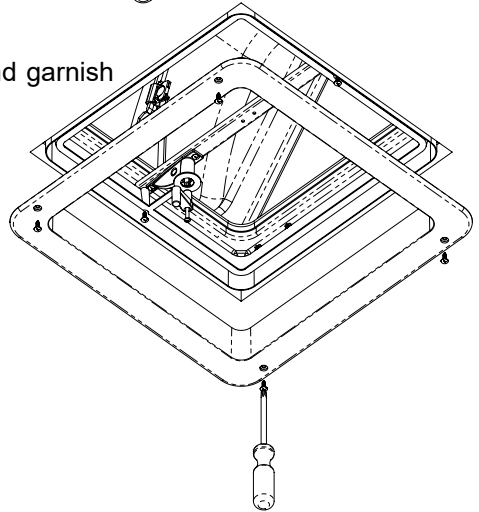
STEP 9

From inside the coach, engage slide/clip with T-bar on universal lid. Re-install lift operator with original screws.



STEP 10

Re-install screen frame, crank handle and garnish ring with original screws.



CONGRATULATIONS! You have successfully installed your new **MAXXAIR® UNIMAXX** Universal Vent Lid.



For additional product information please visit www.AIRXCEL.com
AIRXCEL, INC. - RV Products Division / MAXXAIR
3050 N. St. Francis St. • Wichita, KS 67219 • 316-832-3400

