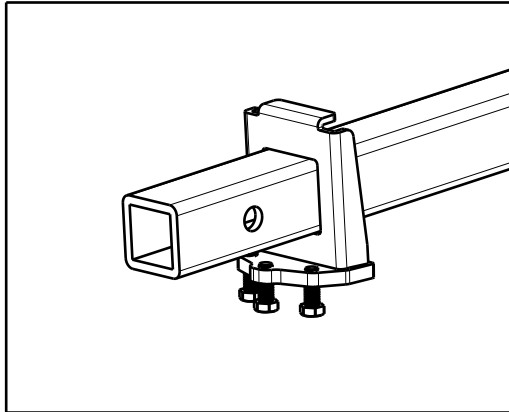


Anti-Tilt Bracket Installation Guide

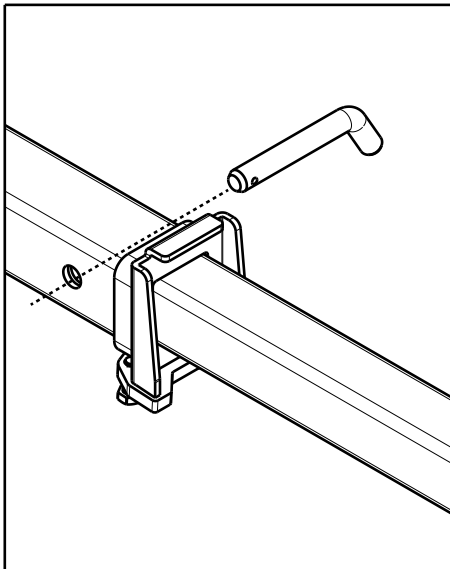
P/N: VH072

STEP 1



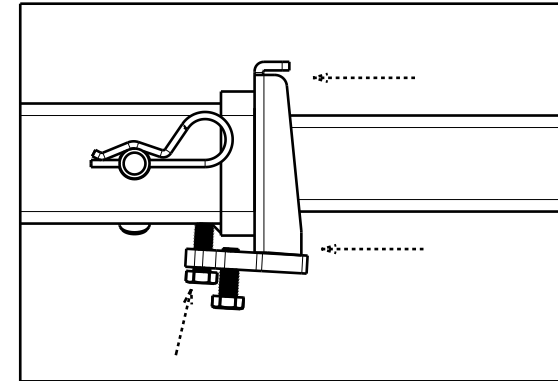
Mount the three 3/8" bolts to the bracket. Insert bracket to the main tube as shown in figure above.

STEP 2



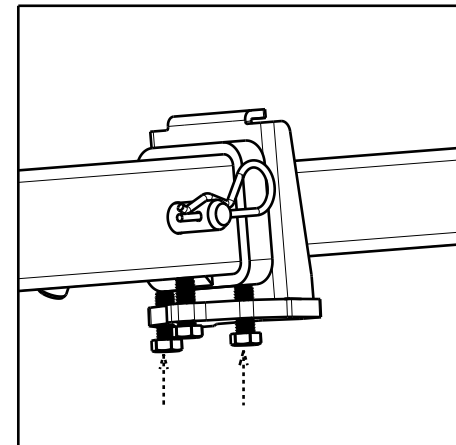
Insert main tube to vehicle's receiver hitch and install hitch pin (not included).

STEP 3



Position the anti-tilt bracket such that it sits flush against the hitch collar. Tighten center bolt until it fits snugly against the receiver hitch underside. Due to variation between hitches, the center bolt might land on the weldment or collar edge.

STEP 4



Tighten the two side bolts; then re-tighten the center bolt. Make sure the bolts are tight enough such that no slack exist between the main tube and the hitch. Test by rocking the carrier from the sides. Road vibration may cause bolts to loosen over time. Check the bolts periodically.

NOTE: It is normal for some deformation to occur on the contact area between the main tube and the anti-tilt bracket.