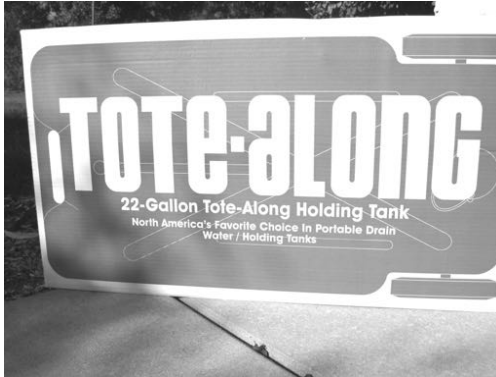




TOTE-ALONG OWNER'S INSTRUCTIONS

22 GALLON - P/N 11104



22 Gallon Tote out of box.

Contents of hardware bag ** and tow handle.

**Contents: Instructions, warranty card, tow handle, 1 grey filler hose, 1 bayonet hose adaptor, 1 hose clamp, 1 garden hose cap, 1 gasket for garden hose cap; 1 - 3" cap, 1 strap for cap, and 1 sewer hose.



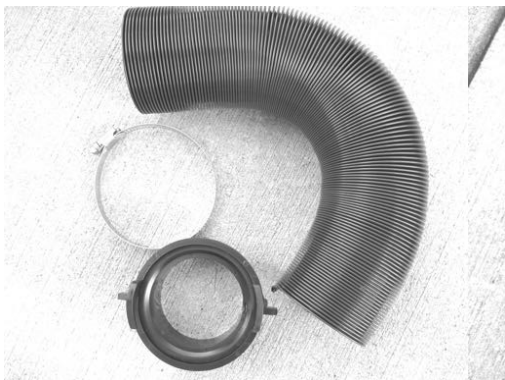
Insert gasket into garden hose cap and attach cap to tank.

For more information on any of Barker products, please call us at **1-888-367-6978**. Monday-Friday 8:00 AM to 4:30 PM (Eastern Time).



Attach strap to tank and to 3" cap and attach cap to tank.

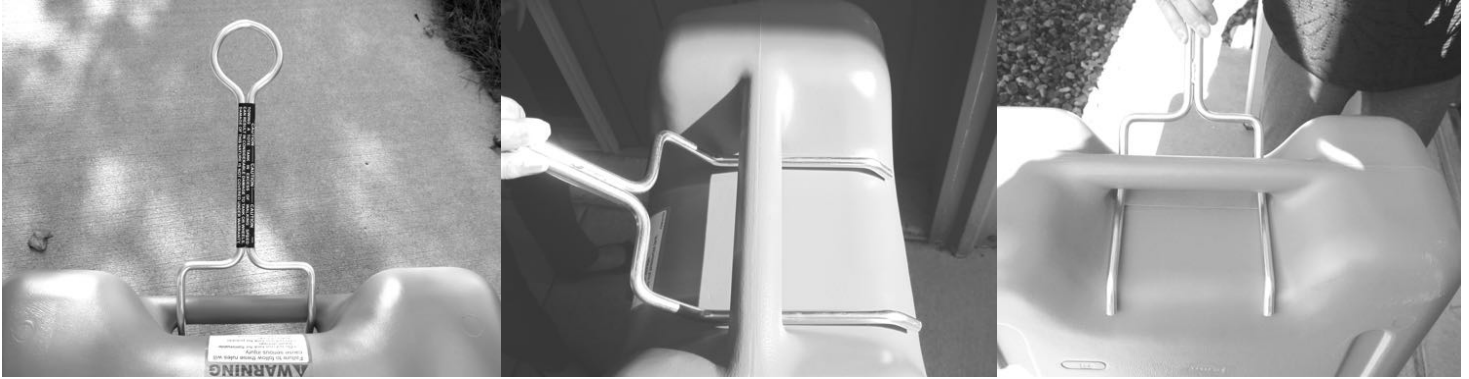
Assemble Sewer Hose - Put sewer hose onto adaptor and tighten with clamp. (This is the hardest thing hardest part of putting your tank together.) To make your life easier and less muttering under your breath, take a hair dryer, heat the hose slightly. The hose will expand to make the connection simpler. You can do it without a hairdryer, but you may break a nail and it takes some time and patience. Now, tighten the hose clamp at the base of the adaptor and hose. (You can use a coin to tighten--a nickel works perfectly if you don't have a screwdriver handy.)



At campsite, take assembled sewer hose and attach one end on the top of the tank (as shown in this picture) and the other end to waste valve on trailer.

When you are ready to empty your Tote-Tank, remove the sewer hose from trailer waste valve and the tank (you don't want to tow the tank with the sewer hose attached). Attach the 3" cap to top of tank (where sewer hose was located). Now you can hook the tow handle (pictures below show how to hook tow handle to tank) to the hitch ball on whatever you have to drive around (car, golf cart, bike, etc.), or pull it by hand. Bring your sewer hose...you will use it at the dump site. (If you are done camping, bring your grey garden hose so you can rinse your tank.)

At the dump site, attach the sewer hose to the tank and the other end to the dump station. You need to vent the tank to allow the waste to empty (remove the small black garden hose cap). Tip tank up to empty waste (you may need to chock wheels to keep them from moving).

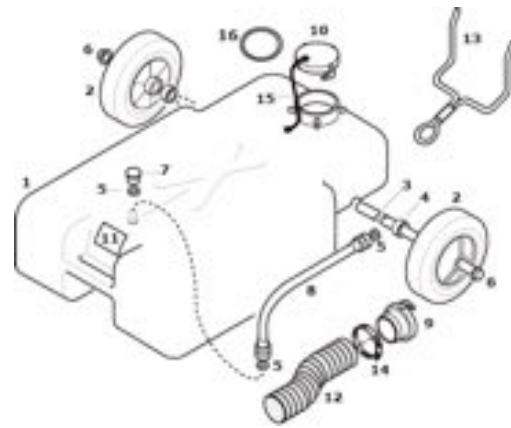


If you are done camping, you can take the grey water hose and attach it to where it was vented and then hook-up to the water supply at the dump station and rinse your tank. Put 3" cap back on empty tank and take your accessories with you back to camp.



Garden hose filler attached—ready to hook to water supply to rinse tank.

ITEM	PART #	REQ'D	DESCRIPTION
1	20734	1	Tank 22 Gallon
2	20686	2	Wheel (8.77")
3	20731	1	Axle 22 Gallon
4	617-0020	2	Bushing
5	10225	3	Hose Washer
6	615-0001	2	Push Nut (5/8")
7	11576	1	Hose Cap (3/4")
8	15655	1	Filler Hose Assembly
9	26060	1	Adaptor Assy. (3")
10	26048	1	Cap (3")
11	17274	1	Warning Label
12	12316	1	Sewer Hose (5')
13	16362	1	Tow Handle
14	10400	1	Hose Clamp
15	26097	1	Strap (3")
16	26096	1	Gasket



Barker Manufacturing Company

1125 Watkins Road / PO Box 460 / Battle Creek, MI 49015

Phone: (269) 965-2371 or 888-367-6978

E-Mail: sales@barkermfg.com

www.barkermfg.com