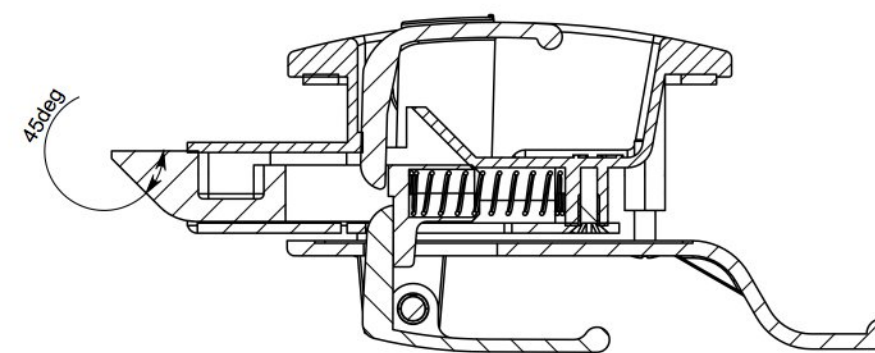
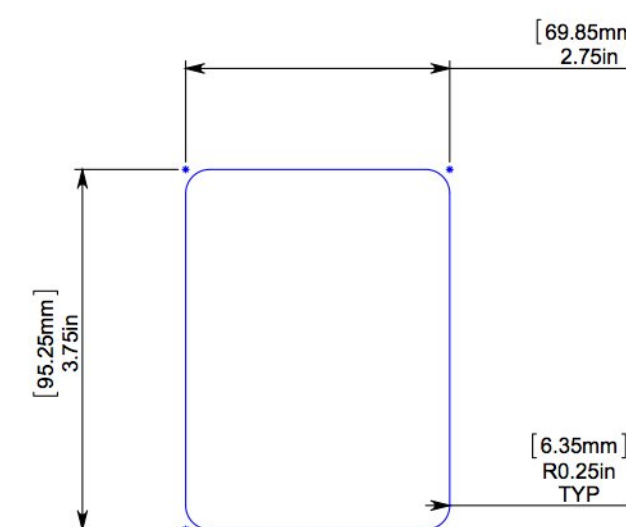


**SECTION B-B**  
SCALE 1 : 1.5



**SECTION C-C**  
SCALE 1 : 1.5



**RECOMMENDED DOOR  
LOCK PREP CUTOUT**

- Each TTL Includes the Following:
- (1) TTL-DECOVER-Z Door Edge Cover
  - (1) Strike Plate
  - (2) #8-32x3/8 flat/phil Fasteners
  - (4) #8-32 oval/phil Fasteners
  - (2) Keys

**Tolerances (unspecified):**  
X.XXX = ± .005"  
FRACTIONS: ± 1/64  
ANGLE: ± 1/2°

Material:  
Per Component Spec  
  
GLI Approval Comments:  
TBD

Heat/Treat:  
Per Component Spec  
Customer No:  
  
GLI Initials:

Finish:  
Per Component Spec  
Customer Ref:  
  
GLI Date:  
2015-6-12

Eng. Initial:  
TBD  
Qty:  
  
Sheet No:  
1

Date:  
2015-6-12  
Scale:  
1:2  
No. of Sheets:  
1

Part Name:  
Travel Trailer Latch Super Durable  
Part No:  
TTL-43610  
Drawing No:  
TTL-43610

